

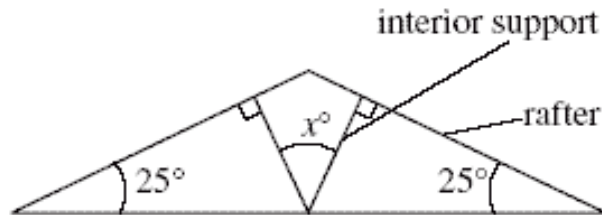
Name: \_\_\_\_\_

**2005, Mathematics - Grade 10**

**Question 38: Multiple Choice**

Geometry

Each of the two interior supports for part of a roof is perpendicular to a rafter, as shown below.



What is  $x$ , the measure, in degrees, of the angle formed by the two interior supports?

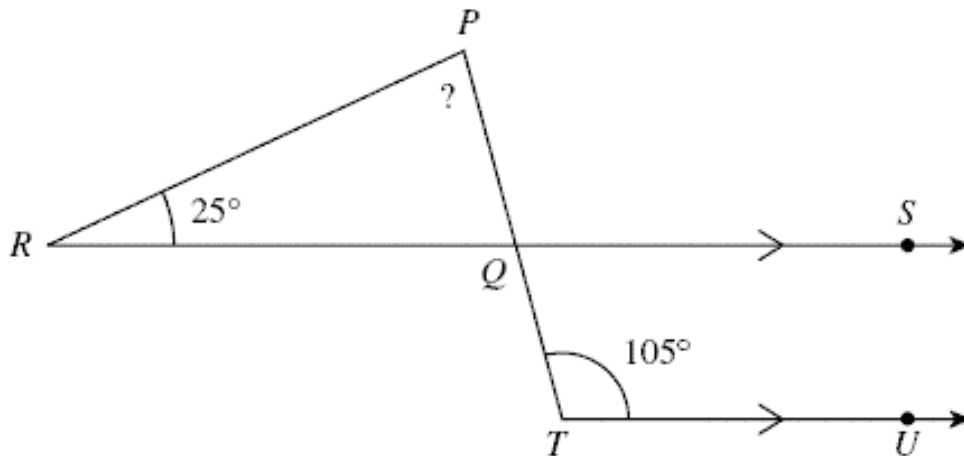
- A. 50
- B. 65
- C. 90
- D. 130

**2005, Mathematics - Grade 10**

**Question 19: Short Answer**

Geometry

In the figure shown below,  $\overrightarrow{RS}$  is parallel to  $\overrightarrow{TU}$ , and  $\overline{PT}$  intersects  $\overline{RS}$  at  $Q$ .



What is the measure of  $\angle RPQ$ ?

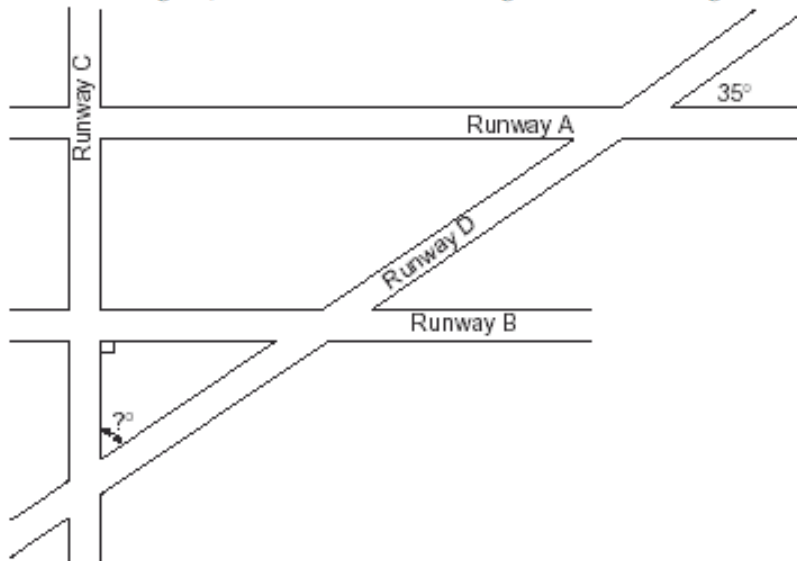
Name: \_\_\_\_\_

**2001, Mathematics - Grade 10**

**Question 12: Short Answer**

Geometry

Runways A and B are parallel to each other and perpendicular to Runway C. If Runway D makes a  $35^\circ$  angle with Runway A as shown in the diagram, what is the measure of the angle marked in the diagram between Runways C and D?

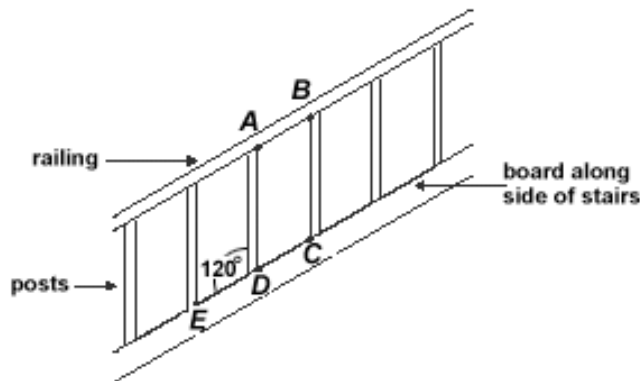


**2000, Mathematics - Grade 10**

**Question 15: Short Answer**

Geometry

Use the figure below to answer question 15.



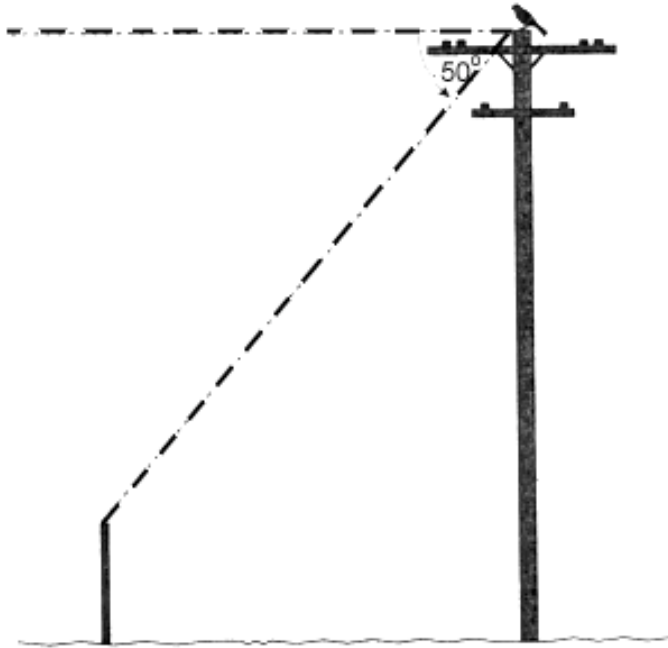
Ms. Barnes is building a railing for her stairs. The board along the side of the stairs, the railing, and the posts form parallelograms. If  $\angle EDA$  shown in the figure measures  $120^\circ$ , what is the measure of  $\angle ABC$ ?

Name: \_\_\_\_\_

**1999, Mathematics - Grade 10**  
**Question 40: Multiple Choice**

*Patterns, Relations, and Algebra*

*Use the diagram below to answer question 40.*



A bird flies from the top of a 40-ft. utility pole on a straight course to the top of a post eight feet above the ground. If the angle of depression is  $50^\circ$ , how far did the bird fly to reach the post? Round your answer to the nearest tenth. [You may use your calculator or refer to the trigonometry table on the *Mathematics Reference Sheet* to answer this question.]

- A. 41.8 feet
- B. 49.8 feet
- C. 52.2 feet
- D. 62.2 feet

Name: \_\_\_\_\_

**1999, Mathematics - Grade 10**  
**Question 28: Multiple Choice**



*Geometry*

What is the measure of the angle between the minute hand and the hour hand when the time on the clock is 2:30?



- A.  $60^\circ$
- B.  $75^\circ$
- C.  $105^\circ$
- D.  $120^\circ$

---

**1998, Mathematics - Grade 10**  
**Question 28: Short Answer**



*Geometry*

A statement is made that two lines that intersect to form at least two congruent angles are perpendicular lines. Draw a sketch that shows that the above statement is **not always** true.

Name: \_\_\_\_\_

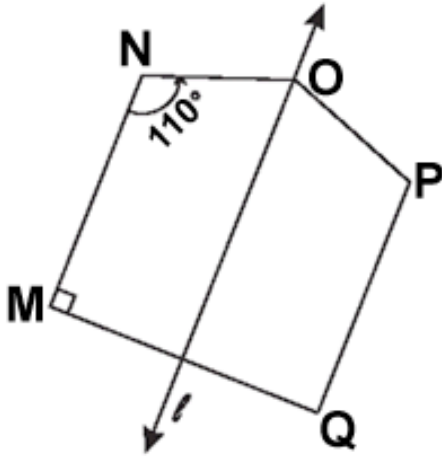
**1998, Mathematics - Grade 10**

**Question 9: Multiple Choice**

Geometry



The line  $l$  is a line of symmetry for figure MNO PQ. What is the measure of  $\angle NOP$ ?



- A.  $70^\circ$
- B.  $110^\circ$
- C.  $140^\circ$
- D.  $160^\circ$